

AISI 304 stainless steel double hanger. Satin finish



Description

- Stainless steel double hanger.
- Durability and corrosion resistance.
- Suitable for public environments.

Suggested text for prescription

NOFER double hanger, made of AISI 304 stainless steel. Dimensions: Ø55 mm, 45 mm depth.

Technical characteristics

Material: AISI 304 stainless steel

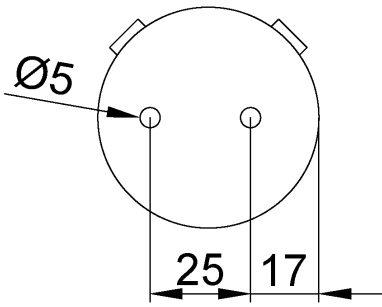
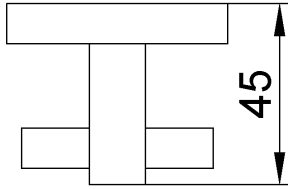
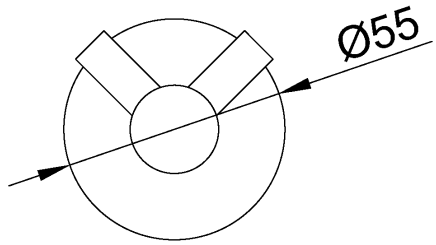
Finishing: Satin

Dimensions: Ø55 mm, 45 mm depth

Fixing

Concealed wall mounting. Fixing screws included.

Dimensional drawing



Ctra. Laureà Miró, 385-387
08980 | Sant Feliu de Llobregat,
Barcelona - Spain
T. +34 934 742 423
F. +34 934 743 548
nofer@nofer.com
www.nofer.com

RELATED
PRODUCTS



09078.S



16849.S



16850.40.S

These specifications may be modified and/or amended due to manufacturing requirements.