

## AISI 304 stainless steel hanger. Satin finish



## Description

- Stainless steel hanger.
- Durability and corrosion resistance.
- Suitable for public environments.
- AISI 304 stainless steel, satin finish.

## Suggested text for prescription

NOFER hanger, made of stainless steel AISI 304 satin finish. Dimensions: Ø55 mm, 50 mm depth.

## Technical characteristics

**Material:** AISI 304 stainless steel

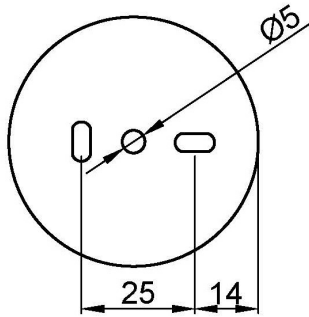
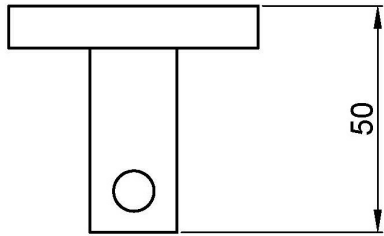
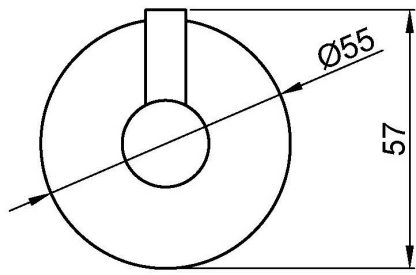
**Finishing:** Satin

**Dimensions:** Ø55 mm, 50 mm depth

## Fixing

Concealed wall mounting. Fixing screws included.

## Dimensional drawing



Ctra. Laureà Miró, 385-387  
 08980 | Sant Feliu de Llobregat,  
 Barcelona - Spain  
 T. +34 934 742 423  
 F. +34 934 743 548  
 nofer@nofer.com  
 www.nofer.com

RELATED  
 PRODUCTS



09078.S



16850.40.S



16850.60.S

These specifications may be modified and/or amended due to manufacturing requirements.