

Vandal-proof adapted wall-hung toilet with horizontal outlet. Stainless steel. Satin finish



Description

- AISI 304 stainless steel wall hung adapted toilet.
- Horizontal wall outlet.
- Vandal resistant, fully welded and polished construction with no sharp edges.
- Suitable for sinks with high frequency of use.
- Suitable for manual or electronic flushing systems.
- Ease of cleaning, durability and rust resistance.
- Satin finish stainless steel.

Suggested text for prescription

NOFER wall hung adapted toilet in stainless steel AISI 304 satin finish. Horizontal wall drain.

Dimensions: 340 height x 370 width x 700 depth (mm).

Water inlet Ø32 mm and drain Ø100 mm.

Components

- AISI 304 stainless steel toilet.
- Includes adjustment gasket.
- Holes (optional) not included.

Available

Wooden (NOFER 5000AR) or stainless steel (NOFER 15029.S) lid available as an option. Warning: the lid is mountable but the support point with the lid open up to the wall is 25 cm. If the lid is not used properly and is not accompanied, it may break.

Technical characteristics

Material: AISI 304 stainless steel plate

Finishing: Satin

Dimensions: 340 height x 370 width x 700 depth (mm)

Water inlet diameter: Ø32 mm

Drain diameter: Ø100 mm

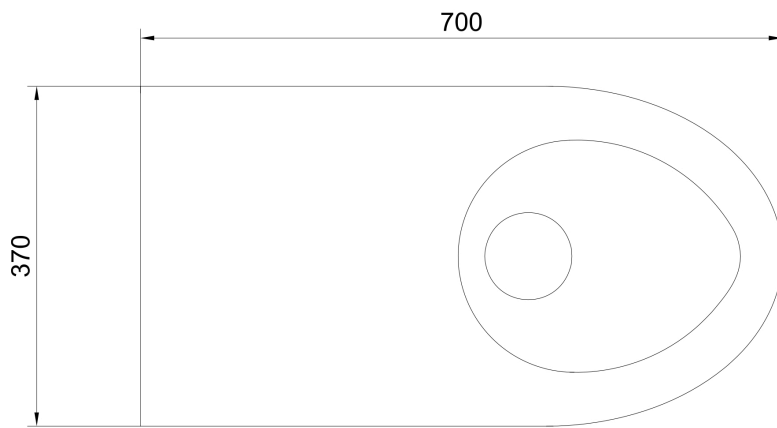
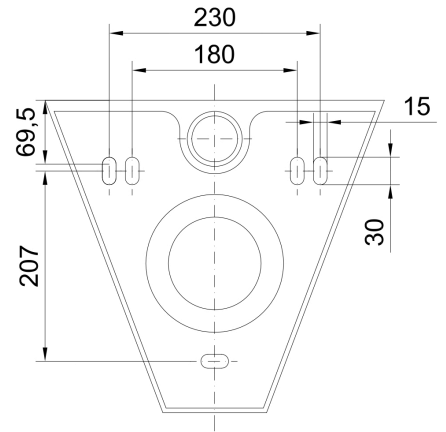
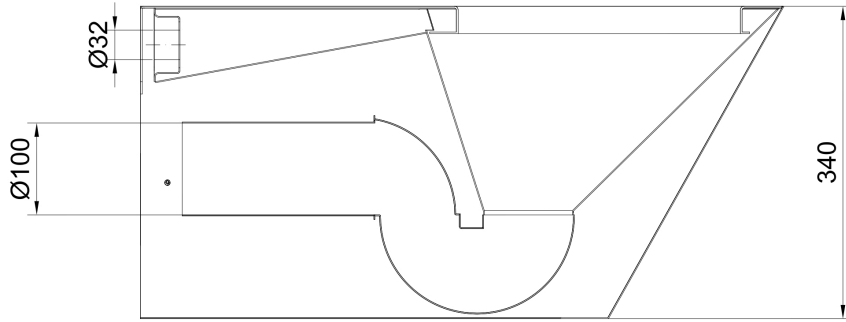
Fixing

Wall mounting by means of fixing plate included. Screws included.

Maintenance

Stainless steel requires maintenance as dirt over time can damage the chromium (Cr) contained in stainless steel. We recommend a monthly cleaning with a specialized product for stainless steel.

Dimensional drawing



Ctra. Laureà Miró, 385-387
08980 | Sant Feliu de Llobregat,
Barcelona - Spain
T. +34 934 742 423
F. +34 934 743 548
nofer@nofer.com
www.nofer.com

RELATED
PRODUCTS



13018.B



13018.S

These specifications may be modified and/or amended due to manufacturing requirements.